



SCREW IN TIRE STUDS (S.I.T.S)

Carbide-tipped traction device for icy conditions

Box Contents: Studs & installation tool with depth collar.

Tools Required: power drill & allen key.

INSTRUCTIONS

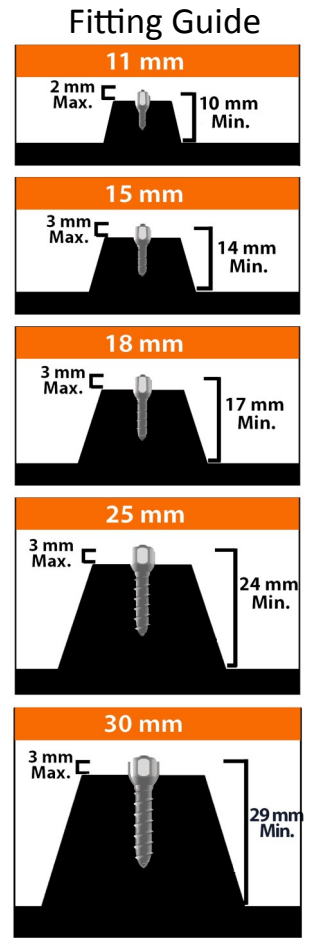
The screw in studs are easily installed and removed with the supplied installation tool. Using an allen key, set the depth of the collar on installation tool(2-3mm max). For optimal traction, prior to installation, lay out a pattern that places a stud on as many contact points as possible.

We recommend marking points on the tire before you begin your installation.

The screw in studs can last for several winters. At the end of the season, they are easily removed and stored for use again the following season.

The **Fitting Guide** shows how to determine which SITS size should be used (depending on the tread depth) as well as how much that the SITS should be protruding. Always check tread depth is sufficient prior to installing the Quality Chain screw in studs.

Contact us at: 1-888-507-9734 www.qualitychaincanada.com



SCREW IN TIRE STUDS (S.I.T.S)

Carbide-tipped traction device for icy conditions

Box Contents: Studs & installation tool with depth collar.

Tools Required: power drill & allen key.

INSTRUCTIONS

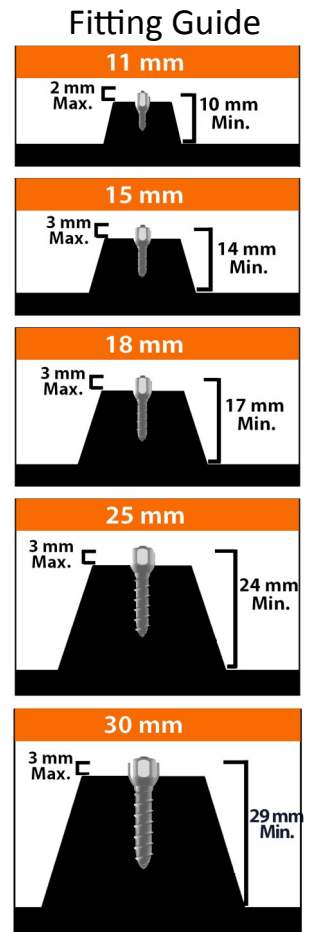
The screw in studs are easily installed and removed with the supplied installation tool. Using an allen key, set the depth of the collar on installation tool(2-3mm max). For optimal traction, prior to installation, lay out a pattern that places a stud on as many contact points as possible.

We recommend marking points on the tire before you begin your installation.

The screw in studs can last for several winters. At the end of the season, they are easily removed and stored for use again the following season.

The **Fitting Guide** shows how to determine which SITS size should be used (depending on the tread depth) as well as how much that the SITS should be protruding. Always check tread depth is sufficient prior to installing the Quality Chain screw in studs.

Contact us at: 1-888-507-9734 www.qualitychaincanada.com



*******IMPORTANT*******

Before Undergoing full installation, **ALWAYS TEST FIT ONE STUD** by completely driving it into the raised tire tread and then removing it. Next, spray stud hole with soapy water to check for air leak. If leaking, use a smaller stud. If many oversize studs are installed without following this procedure, it may damage the tire beyond repair.

APPLICATION GUIDE

VEHICLE TYPE	11mm	15mm	18mm	25mm	30mm	RECOM'D PIECES/ TIRE
A.T.V.	+	+	+	+		50 - 75
GARDEN TRACTOR/ SNOWBLOWER	+	+	+			50 - 75
FORKLIFT		+	+	+		50 - 100
SKID STEER		+	+	+		50 - 100
SMALL LOADER	+	+	+			75 - 100
TRACTOR			+	+	+	100 - 150
LOADER			+	+	+	100 - 150



Contact us at: 1-888-507-9734 www.qualitychaincanada.com

*******IMPORTANT*******

Before Undergoing full installation, **ALWAYS TEST FIT ONE STUD** by completely driving it into the raised tire tread and then removing it. Next, spray stud hole with soapy water to check for air leak. If leaking, use a smaller stud. If many oversize studs are installed without following this procedure, it may damage the tire beyond repair.

APPLICATION GUIDE

VEHICLE TYPE	11mm	15mm	18mm	25mm	30mm	RECOM'D PIECES/ TIRE
A.T.V.	+	+	+	+		50 - 75
GARDEN TRACTOR/ SNOWBLOWER	+	+	+			50 - 75
FORKLIFT		+	+	+		50 - 100
SKID STEER		+	+	+		50 - 100
SMALL LOADER	+	+	+			75 - 100
TRACTOR			+	+	+	100 - 150
LOADER			+	+	+	100 - 150



Contact us at: 1-888-507-9734 www.qualitychaincanada.com